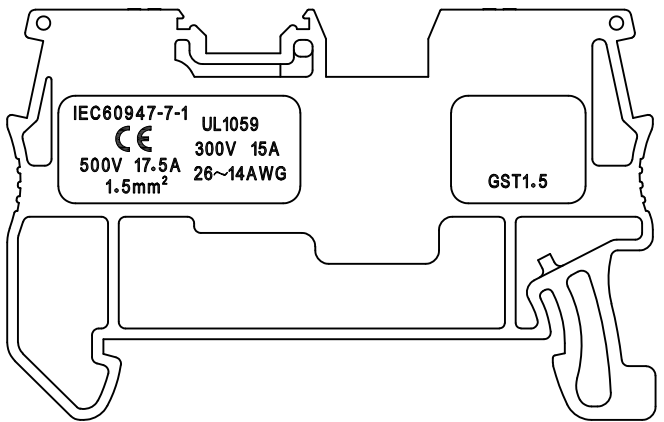
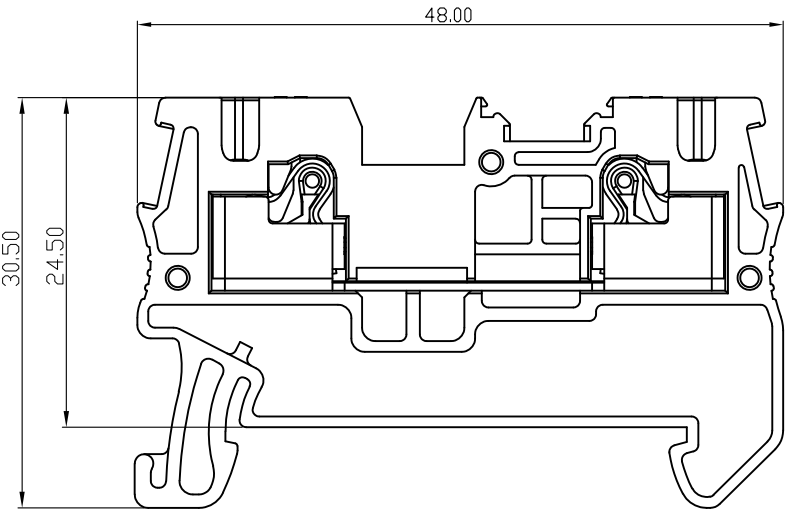


| 版次 (Version) | 变更内容 (Rev. Content) | 变更者 (Change Person) |
|--------------|---------------------|---------------------|
| | | |
| | | |



| 技术参数 (Technical Data) | | |
|--------------------------------------|-----------------------------------|------------|
| 项 目 (Item) | UL1059 | IEC |
| 额定电气参数 (Rated Electrical Parameters) | 300V/15A | 500V/17.5A |
| 压线范围 (Wire Range) | 26~14AWG | 0.2~1.5mm² |
| 工频耐压 (Frequency Voltage) | AC 3000V | |
| 冲击耐压 (Rated Surge Voltage) | 6000V | |
| 绝缘阻抗 (Insulation Resistance) | DC500V 500MΩ above | |
| 电压降 (Requirement, voltage drop) | ≤3.2mV | |
| 剥线长度 (Stripping Length) | 8~10mm | |
| 工作温度 (Temperature) | -40°C~+105°C | |
| 材质和电镀 (Material and plating) | | |
| 绝缘材质 (Housing) | PA66 (UL94 V-0) | |
| 触点材料 (Contact) | 铜合金, 镀锡 (Copper alloy, Sn plated) | |
| 弹片 (Spring) | 不锈钢 (Stainless) | |

产品命名编码:

(Product Number Code):

GST1.5-01P-1Y-00A (H)

产品型号 (Series No.)

客户需求 (Customer Request)

极数 (No. of poles)

塑体颜色 (Housing Color)

- 1: 单倍间距 (Single Pitch)
- 2: 双倍间距 (Double Pitch)

- 1: 绿色 (Green)
- 2: 蓝色 (Blue)
- 3: 黑色 (Black)
- 4: 灰色 (Grey)
- 5: 橙色 (Orange)
- 6: 红色 (Red)
- 7: 透明色 (Transparent)
- 8: 白色 (White)
- 9: 黄色 (Yellow)
- Y: 多种颜色 (Mixed Color)

| | | | |
|----------------------------------|--|------------------------|------------------|
| Ant Electronic CO., LTD | | 公差范围 (Tolerance Range) | |
| | | 150~ | ±1.50 |
| 型号 (Type): GST1.5-01P-1Y-00A (H) | | 60~150 | ±1.00 |
| | | 30~60 | ±0.60 |
| 核准 (Approval): | | 6~30 | ±0.40 |
| | | 0~6 | ±0.25 |
| 审核 (Audit): | | 角度 (Angle) | X ±2° |
| | | XX | ±1° |
| 设计 (Design): | | 比例 (Scale): FULL | 版次 (Version): T0 |